

SAC5000

Security Access Controller



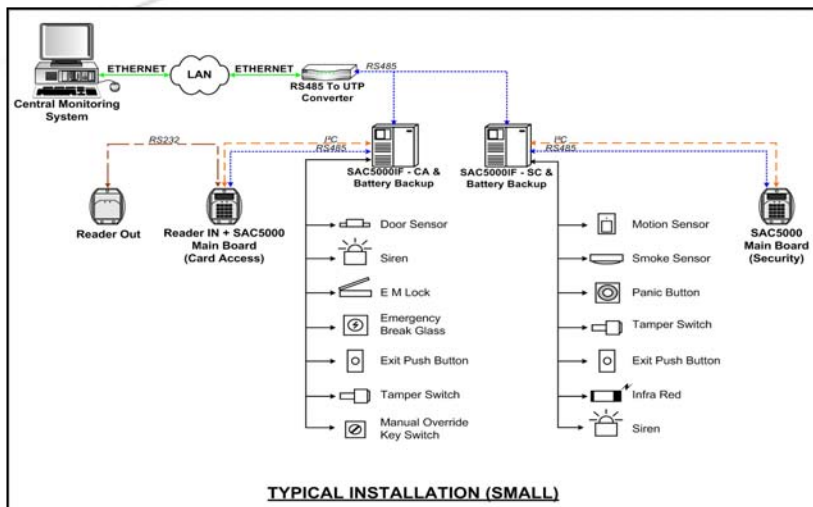
INTRODUCTION

SAC5000 is the latest generation controller that combines advanced technology and flexible features to meet a wide range of security access requirements economically. The controller combines the card reader, keypad and LCD display in a single casing that is compact and aesthetic in design. It is able to support various types of access, security components and interfaces with smart card reader. SAC5000 is capable to work on a stand-alone system or integrated within a network.

KEY FEATURES

Card Reader Interface	Mifare and Legic Smartcard Reader.
High Number of Card Holder	5,000 for Mifare / Unlimited for Legic Card.
High Number of Off-Line Transaction	3,000 Card Transactions.
Multimode Operation	Card Only, Card and Pin, and Anti-Passback.
High Security	Door Force Open, Duress Entrance and Door Ajar.
Support Big System Connectivity	1584 numbers of controller network for Mifare/Proximity Card and 1785 numbers for Legic Card.
Alarm Output	Siren and Strobe Light.
Interface with Various Locking Mechanism	Electromagnetic Lock, Door Striker, Parking Barrier, Roller Shutter, Pedestrian Barrier and many more.
Provides Various Type of Sensor Input	8 Zones of Alarm Sensor, 1 Smoke Sensor, 24 Hour Security Zone, Panic Switch and 3 Tamper Switch (with SAC5000IF-SC Board).

SYSTEM DIAGRAM



TYPICAL INSTALLATION (SMALL)

TECHNICAL SPECIFICATIONS

ITEM	DESCRIPTION
Controller Model	SAC5000
Micro Controller	P89C668 8 bit
Operating Frequency	8MHz
Real Time Clock	Onboard Real Time Clock with Battery Backup
Program Memory	64KB Flash
Data Memory / RAM	64KB SRAM
Battery Backup for Memory	Nicd 3.6VDC Onboard Backup Battery
Max Card Holder Capacity	5000 Card Holder for Mifare / Unlimited for Legic Card
Max Event Transaction	3,000 Card Transaction
Communication Ports	1 Selectable RS232/485 & 2 RS232 Ports
Fast Transmission Speed I) Baud Rate (Controller to Host) II) Baud Rate (Controller to Reader)	- 38.4 kbps - 9.6 kbps
Controller I/O	- 1 Door Sensor - 1 Exit Push Button Input - 3 Tamper Switch Input - 1 Locking Mechanism - 1 Siren Output Expandable I/O - 40 Programmable Input / Output
Controller Display Unit / Keypad	16 x 2 LCD with Backlight / 4x4 Keypad
Multi-Door Anti-Passback	Function Available – Global, Local & Forgive Anti-Passback
Sound Indication (Buzzer)	Door Force Open and Door Ajar
Time Zone	Unlimited Time Zone with 5 Time Set per each
Communication Cable Type	Recommended BELDEN 24AWG 1419A
Max Length of Communication	1 Km (RS485)
Dip Switch for Address Setting	8 Bit Address
Guard Tour Mode	Function Available
Duress Alarm	Function Available
Watchdog	1 Firmware & 1 Hardware
Electrical and Physical	- Operating Voltage of 12 VDC - Operating Current of 60mA - Wall Mounting Casing - 2mm ABS-PC (Polycarbonate) Casing - Dimension 120(H) x 140(W) x 29.5(D)MM
Humidity	10% to 90% Non-condensing
Card Format Support	Mifare or Legic
Operating Temperature	20° to 40° C

For further information, please contact

